



REFLECTOR PENDANT

Light is cast onto a floating reflector, washing the room with a soft indirect light.

Made from precisely machined aluminium components, the reflector is then finished in a super matte powder coat or clear anodised. The other parts are finished in a tactile anodised coat, revealing the grain of the aluminium beneath the surface.

FINISHES

BODY

Brushed silver
Anodised



Brushed satin
gold Anodised



Anodised
Black



Bronze
Patina



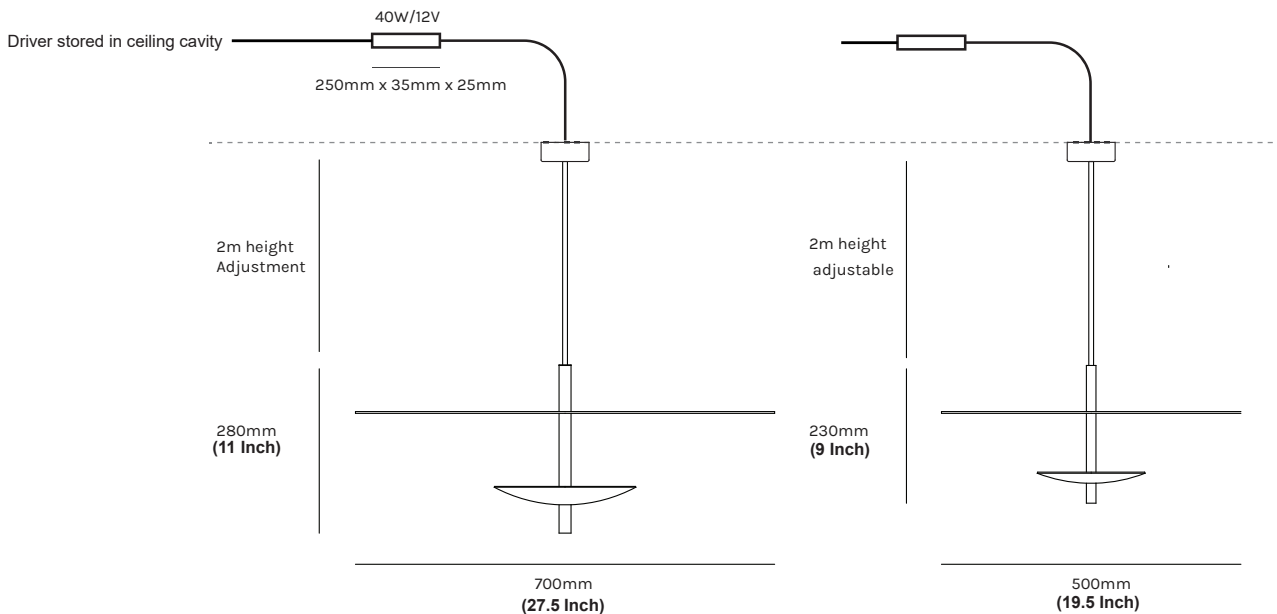
REFLECTOR

White



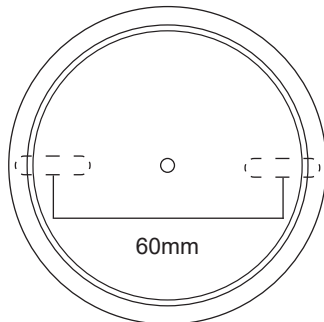
SPECIFICATIONS

Warranty	12 Months
Mounting	Ceiling
Environment	Indoor
Weight	700Ø - 2.7kg / 500Ø - 1.7kg
Light Source	12V warm white (3000K) LED
Voltage	12V
Power	20W (70 Diameter) 15W (50 Diameter)
Cord	Black fabric covered
Supply Included	Yes -240V (AUS/NZ) / 120V(US) to 12V
Materials	Anodised / Powder coated Aluminium
LED Lumens	1900 Lumen LED - 700mm Dia 1140 Lumen LED - 500mm Dia (Some loss of Lumens occurs with reflected light source).



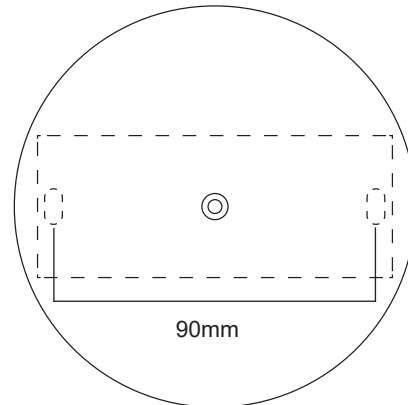
CANOPY SPECIFICATIONS

Seamless Canopy
(Standard)



80mm
(3 Inch)

Large Canopy
Option for US orders



125mm
(5 Inch)

CANOPY STYLE



COLOUR

Black



White



INSTALLATION STYLE

Surface



Flush Mount

